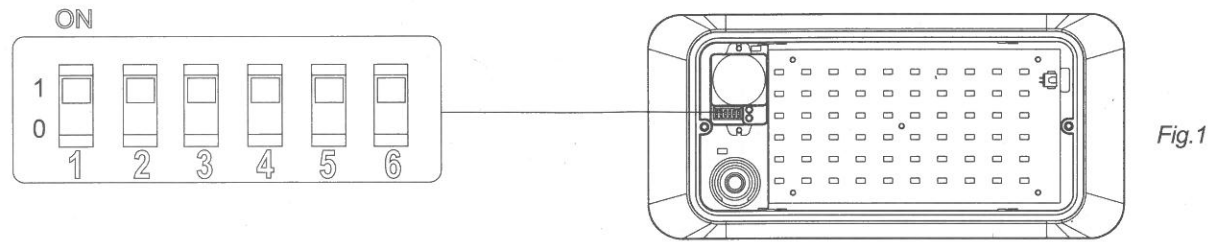


Function

Setting manner one:DIP switch

As below shown, by S1,S2 to set the detection range, S3,S4 the delay time, S5,S6 the light-control value. It may take times to adjust values before they satisfy your need.



(1)Detection range setting (sensitivity)

Detection range is the term used to describe the radii of the roughly circle casting on the ground when installed at the height of 2.5 m. To set the switch to ON is "1", to OFF is "0". Read through the right shown the corresponding table of the switch position to the detection range.

ON		S1	S2	Detection range
1	1	0	0	2m(radii)
1	0	0	1	4m(radii)
1	1	1	0	6m(radii)
1	0	1	1	8m(radii)

SENS:S1,S2

Notice: when using this product, please adjust the sensitivity (detection range) to an appropriate value but the maximum to avoid the abnormal reaction caused by the easy detection of the wrong motion by the blowing leaves & curtains, small animals or the interference of power grid & electrical equipment. All the above mentioned will lead to the error reaction. When the product does not work normally, please try to lower the sensitivity appropriately, and then test it.

Human movement will cause the sensor induction,so when you under the function testing,please leave the induction region and don't make movement to prevent the sensor continuous work.

Friendly reminder: when installing two or more microwaves together, you are required to keep 4 meters one from another, otherwise the interference among them will lead to error reaction.

(2)Time setting

It can be defined from 10 seconds to 12minute. Any movement detected before this time elapse will re-start the timer. It is recommended to select the shortest time for adjusting the detection range and for performing the walk test. To set the switch to ON is "1", to OFF is "0". Read through the right shown the corresponding table of the switch position to the delay time.

ON		S3	S4	Time setting
1	1	0	0	10sec
1	0	0	1	2min
1	1	1	0	6min
1	0	1	1	12min

TIME:S3,S4

It is mainly for the adjustment of the delay time from the moment the signal detected and light auto-on till the light auto-off. You can define the delay time to your practical need. But you'd better lower the delay time for the sake of energy saving, since the microwave sensor has the function of continuous sensing, that is, any movement detected before the delay time elapses will re-start the timer and the light will keep on only if there is human in the detection range.

(1)Light-control setting

It can be defined in the range of 5~2000 LUX. To set the switch to ON is "1", to OFF is "0". Read through the right shown the corresponding table of the switch position to the light-control value.

SAB		S5	S6	Light-control
1	1	0	0	5LUX
1	0	0	1	50LUX
1	1	1	0	150LUX
1	0	1	1	2000LUX

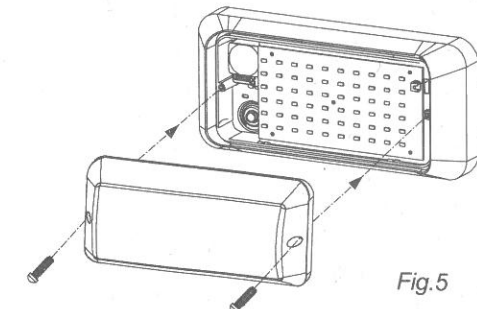
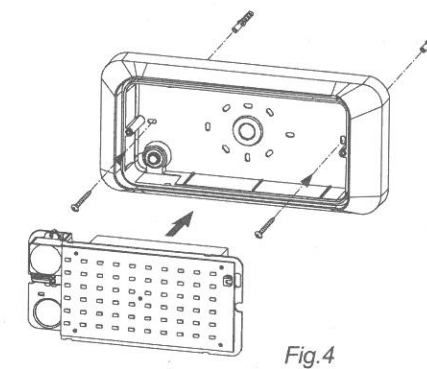
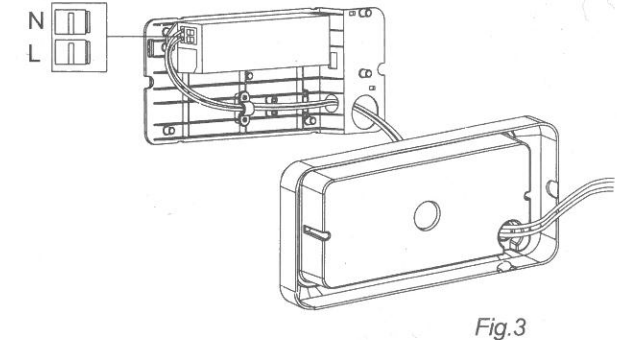
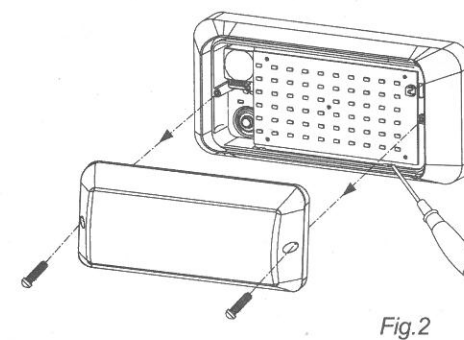
LUX:S5,S6

Warning! The following situations will lead to error reaction.

1. Being installed on the rocking object will lead to error reaction.
2. The shaking curtain blown by wind will lead to error reaction. Please select the suitable place to install.
3. Being installed where the traffic is busy will lead to error reaction.
4. The sparks produced by some equipment nearby will lead to error reaction.

Procedure of installation

- Step1 Remove the lampshade and the LED board before you install the lamp.(as Fig.2)
- Step2 Mark the hole position with a pencil after determining where you want to install the product.
Note:If it is a wooden wall,there is no need to use plastic expansion screw,just fasten the screw with the screwdriver.
- Step3 Drill holes on the walls where there is pencil mark with an electric drill and get the plastic expansion inside the hole.
- Step4 Connect the cable to the lamp through the cable entry openings.(as Fig.3)
- Step5 If it is a wooden wall,there is no need to use plastic expansion ,just drive the screw with the screwdriver.
- Step6 Set the LED board on the base and adjust the DIP switch.(as Fig.4)
- Step7 Fasten the cover to the lamp base which has been installed on the wall.(as Fig.5)



Warning!

1. Please keep it away from the children when installation.
2. Please avoid to be installed where the temperature is high.
3. Please cut off the power before installation.